

DAEDONG ENGINEERING CO., LTD.



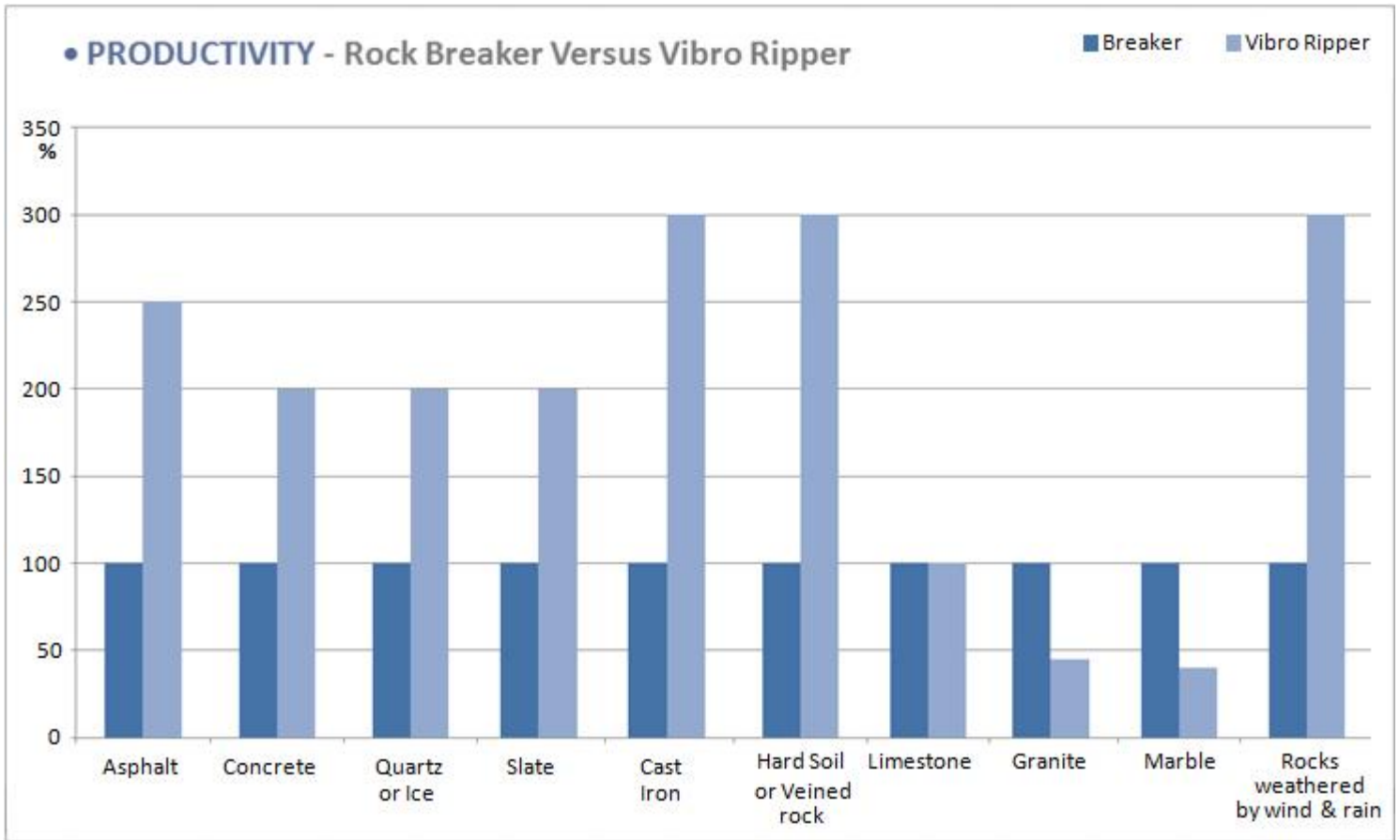
VIBRO RIPPER

DBL Series

- Innovative, Reliable Original Vibro Ripper in The World
- Powerful digging force by special vibration structure
- Noiseless & Eco-friendly Vibrating Ripper
- No scattering of debris during digging operation
- Higher Production & efficiency

TECHNICAL FEATURES

- Noiseless and eco-friendly equipment (approx. 52~65dB lower than an equivalent hammer)
- Up to double and three times of productivity compared with an equivalent hydraulic hammer
- Easy installation to excavator with breaker hydraulic lines
- Utilizes 2,700rpm of high frequency vibration
- Patented heavy duty of elastomers(cushion elastomer) insulates the excavator from vibration shock
- Mounting and dismounting with 5~40 ton excavator boom at any time easily
- Innovatively designed tooth & pin have improved the durability
- Powerful breaking performance by high frequency motor
- Innovative technology, more powerful vibration and less noise level than ever
- Increased life time for the equipment by applying the oil rotation power system
- Developed with a patented high frequency vibration technology world first, which makes it in 80% of job site more productive than any rock breaker.
- Application area : it can work in tunnels, road extension section, public grievance, downtown, foundations, muddy , wet zone and under water places



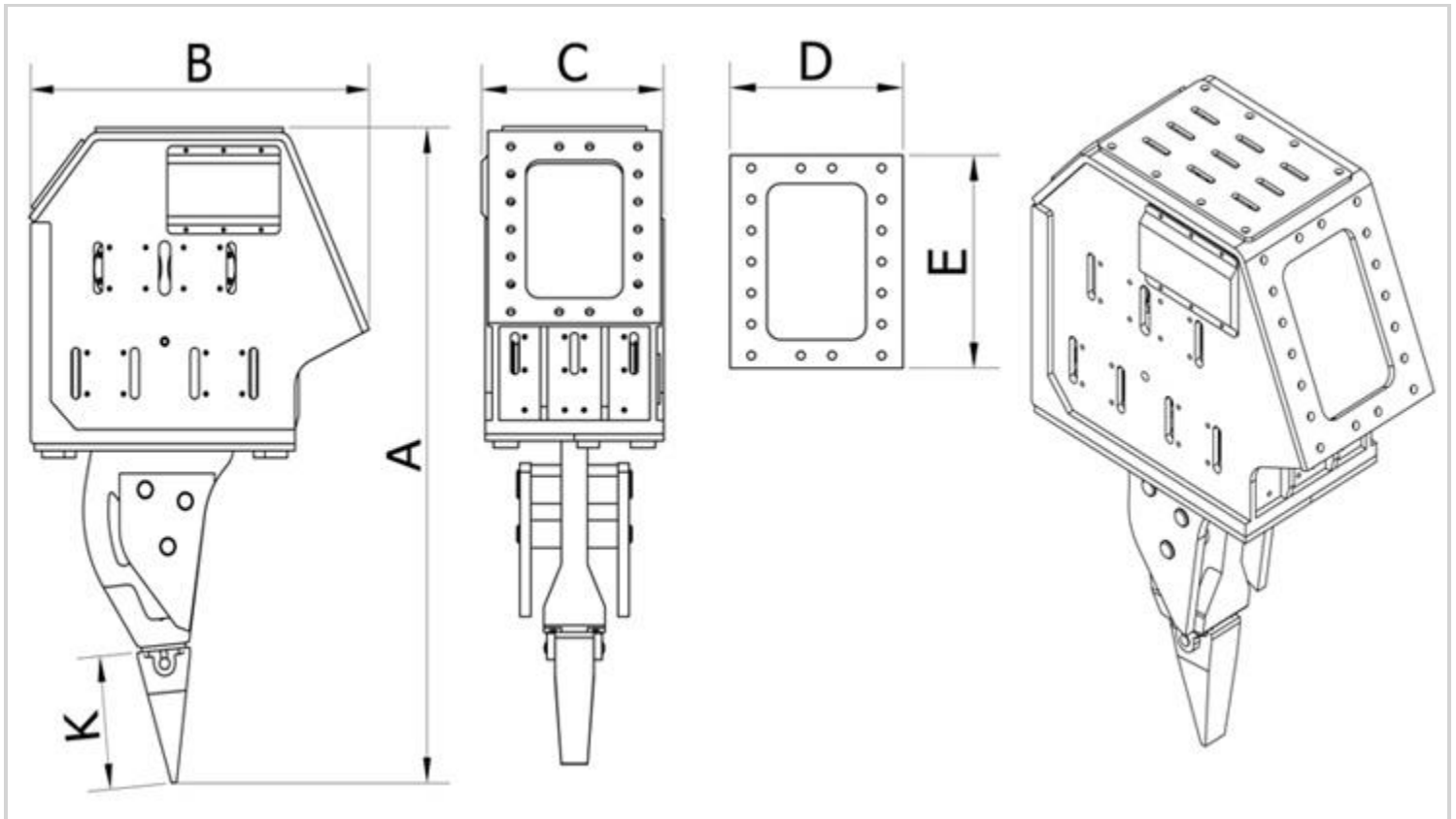
- Productivity can be changed depending on operator's skill, using machine and job site condition.
- These figures are intended as a guideline and not binding.

SPECIFICATION

Model		Units	DBL150	DBL200	DBL350	DBL600
Frequency		vpm	2700	2700	2700	2700
Centrifugal Force		lbs	33721	44962	78683	116901
		kN	150	200	350	520
Hydraulic Operating Pressure		bar	220	250	250	250
		psi	3190	3625	3625	3625
Hydraulic Setting Pressure		bar	250	270	270	270
		psi	3625	3915	3915	3915
Oil Quantity		l/min	46~55	100~120	180~240	200~260
		gpm	12~14	26~32	48~64	53~69
Hydraulic Motor Power		kw	28	75	118	153
		hp	38	102	160	208
Dimension	Height (A)	inch	50.6	62.4	83.7	90.9
		mm	1285	1584	2125	2310
	Length (B)	inch	33.7	42	49.6	53.1
		mm	856	1067	1260	1350
	Width ©	inch	19.6	23.3	25.5	12
		mm	498	593	648	660
	Upper Bracket(D)	inch	14.1	18.9	21.2	21.2
		mm	360	480	540	540
	Upper Bracket(E)	Inch	16.5	22.4	27.6	29.5
		Mm	420	570	700	750
	Length of Tooth (K)	inch	10	10	18.5	18.5
		mm	256	256	470	470
Main Body Weight		lbs	1235	2425	4012	5291
		kg	560	1100	1820	2400
Applicable Excavator		Ton	5~8	12~17	18~26	25~38

Materials and specifications are subject to change without prior notice

DRAWINGS



FOR QUESTIONS OR ENQUIRIES PLEASE:

EMAIL: enquiries@epindustries.co.uk OR CALL: +44 (0) 1773 606501